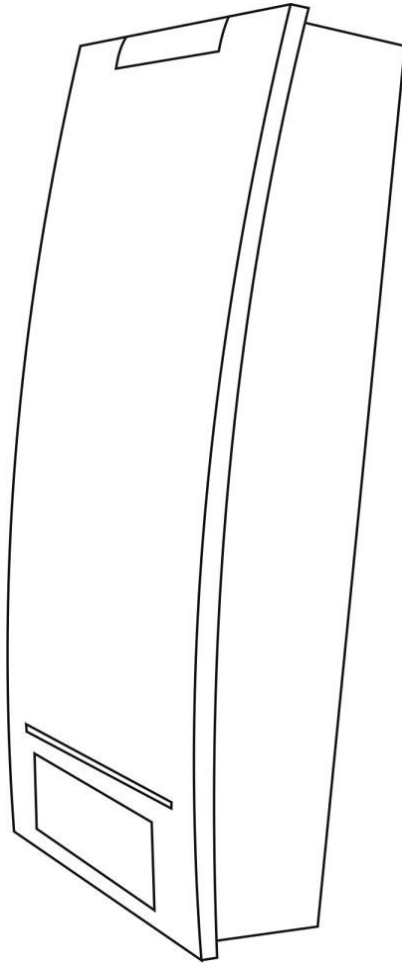


# **-DTZ001-**

## **Stand-Alone Proximity Access Control**



**User Manual**

# INTRODUCTION

---

DTZ001 is a compact, waterproof stand-alone programmable access control system that provides proximity entry for up to 2000 users, read both EM & HID card. It uses Atmel microcontroller assures maximum performance in any environment, and the low-power circuit makes its service life prolonged. The product unique feature is simple in design, easy to operation, and high reliability.

## Features

- Waterproof, confirm to IP66
- Read 125KHz EM & HID card
- One programmable relay operation
- Pulse mode, Latch mode
- Remote infrared programmer
- 2000 users
- Card block enrolment
- Tri-colour LED status display
- Built in light dependent resistor (LDR) for anti tamper
- Buzzer for audible or silent mode
- Low temperature resistance(-40°C)

## Specifications:

<b>User Capacity</b> Card	<b>2000</b> EM card and HID card
<b>Operating Voltage</b> Idle Current	<b>12~24V DC</b> <40mA
<b>Proximity Card Reader</b> Radio Technology Read Range	<b>EM&amp;HID</b> 125KHz Proximity Card 3-10cm
<b>Wiring Connections</b>	Relay Output, Exit Button
<b>Relay</b> Adjustable Relay Output Time Lock Output Load	<b>One (NO, NC, Common)</b> 1-99 Seconds (5 seconds default) 2 Amp Maximum
<b>Environment</b> Operating Temperature Operating Humidity	<b>Meets IP66</b> -40°C ~60°C 20%RH-98%RH
<b>Physical</b> Colour Dimensions Unit Weight Shipping Weight	<b>ABS Shell</b> Black L: 102* W: 48 * H:20mm 150g 250g

## Carton Inventory

DTZ Reader: 1

Infrared Remote Control: 1

Diode IN4004 (For relay circuit protection): 1

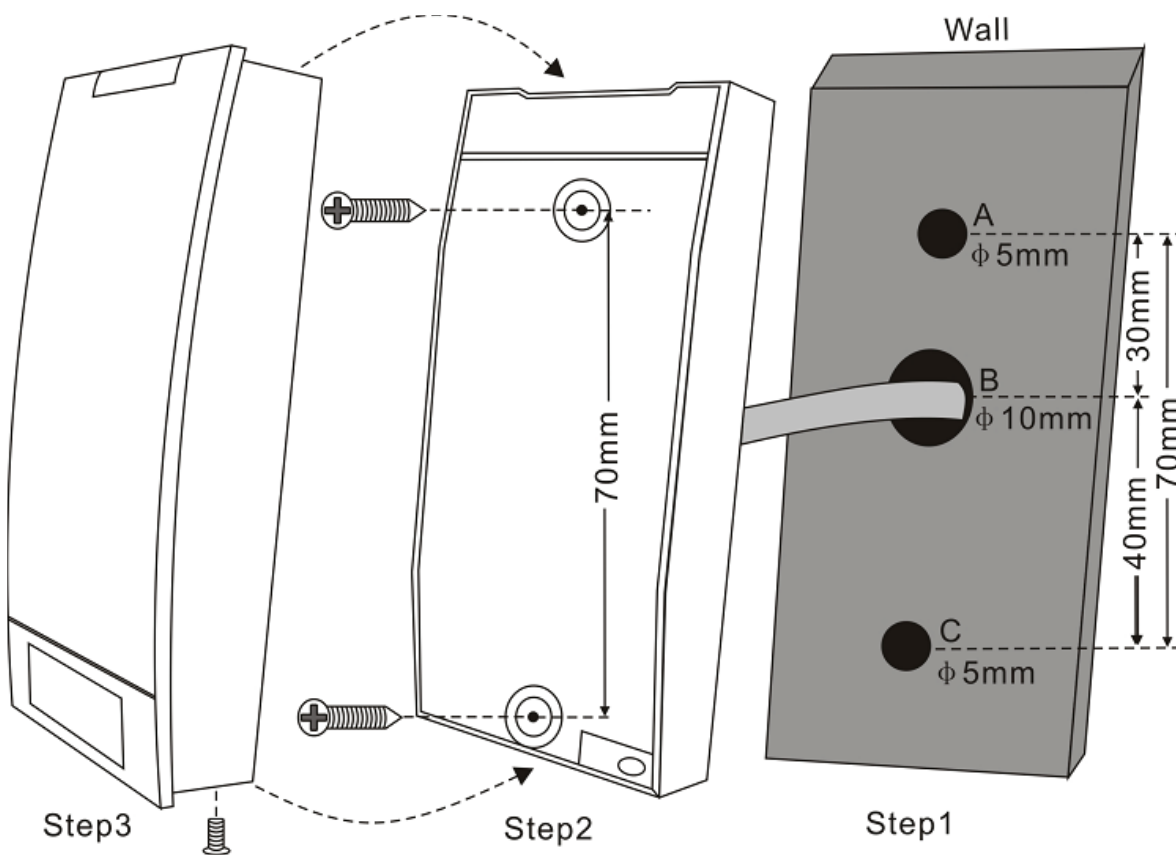
Self Tapping Screws: 2 x  $\Phi 3 \times 25\text{mm}$

Rubber Bungs: 2

Screw Driver: 1

# INSTALLATION

- Remove the back cover from the unit
- Drill 2 holes(A,C) on the wall for the screws and one hole for the cable
- Knock the supplied rubber bungs to the screw holes(A,C)
- Fix the back cover firmly on the wall with 4 flat head screws
- Thread the cable through the cable hole(B)
- Attach the unit to the back cover.

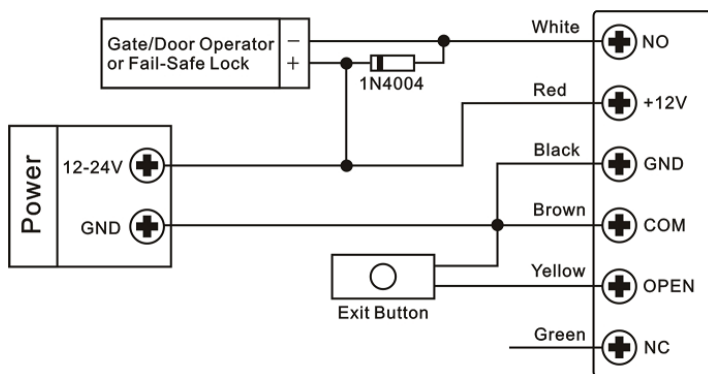
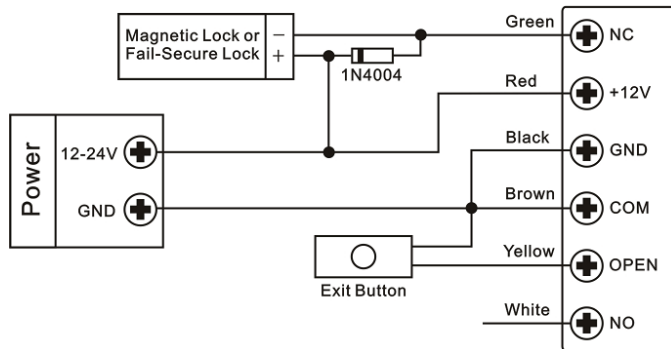


## Wiring

Wire Insulation Colour	Function	Notes
Red	Power +	12~24 VDC Regulated Power Input
Black	GND	Ground
White	NO	Normally Open Relay Output
Brown	COM	Common Connection for Relay Output
Green	NC	Normally closed Relay Output
Yellow	OPEN	Request to Exit input(REX)

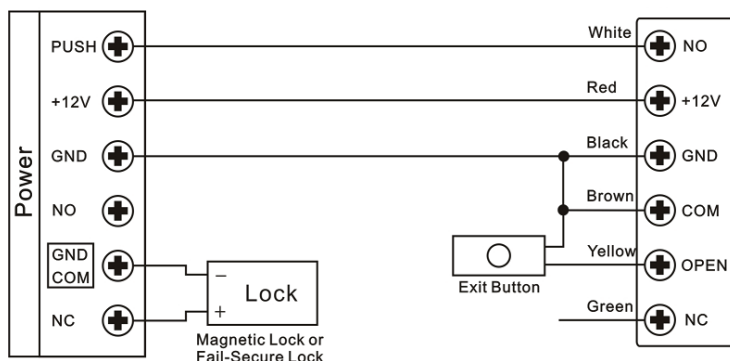
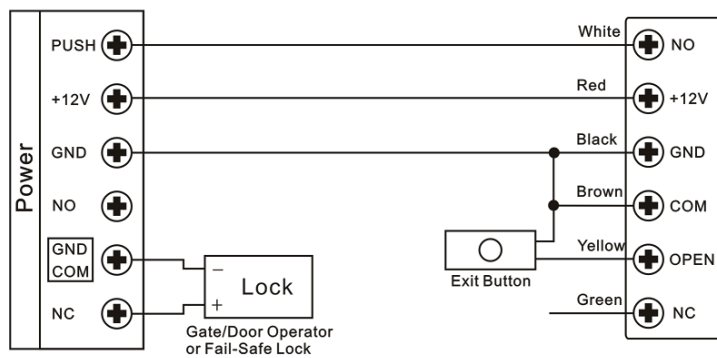
# Connection Diagram

## Common power supply:



**Attention:** Install a 1N4004 or equivalent diode is needed when use a common power supply, or the reader might be damaged. (1N4004 is included in the packing)

## Access Control Power Supply:



# PROGRAMMING

Programming will vary depending on access configuration. Follow the instructions according to your access configuration.

## General Programming Information

- **Remote Control:** Please use the Infrared Remote Control to program the Reader.
- **User ID number:** Assign a user ID to the access card in order to track it. The user ID number can be any number from 1~2000. **IMPORTANT:** User IDs do not have to be preceded with any leading zeros. Recording of User ID is critical. Modifications to the user require the User ID be available.
- **Proximity Card:** Any 125KHz industry standard 26 bit EM and HID Proximity card or Tag.

## Enter and Exit Program mode

Programming Step	Keystroke Combination
Enter Program Mode	* (Master Code) # <i>Factory default is 123456</i>
Exit Program Mode	*

## Set Master Code

Programming Step	Keystroke Combination
1. Enter Program Mode	* (Master Code) #
2. Update Master Code	0 (New Master Code) # (Repeat New Master Code) #
3. Exit Program Mode	*

## Add User Cards

Programming Step	Keystroke Combination
1. Enter Program Mode	* (Master Code) #
2. Add Card: Using Auto ID (Allows DTZ001 to assign Card to next available User ID number)	1 (Read Card) # Repeat Step 2 for additional user cards
<b>OR</b>	
2. Add Card: Select Specific ID (Allows manager to define a specific User ID to associate the card to)	1 (User ID) # (Read Card) # The user ID is any number from 1-2000.
<b>OR</b>	
2. Add Card: by Card Number	1 (Input 8/10 digits Card number) #
<b>OR</b>	
2. Add Card: Block Learn (Allows manager to add up to 2000 cards to the Reader in a single step.) Takes 3 minutes to program.	1 ( User ID number) # (Card quantity) # #(The first card number) # Cards' number must be consecutive; Card quantity = number of card to be enrolled.
3. Exit	*

## Delete User Cards

Programming Step	Keystroke Combination
1. Enter Program Mode	* (Master Code) #

2. Delete Card: By read card	<b>2 (Read Card) #</b> Repeat Step 2 for additional user cards
<b>OR</b>	
2. Delete Card: Select Specific ID	<b>2 (User ID) #</b> The user ID is any number from 1-2000.
<b>OR</b>	
2. Delete Card: by Card Number	<b>2 (Input 8/10 digits Card number) #</b>

### Set Relay Configuration

The relay configuration sets the behaviour of the output relay on activation.

Programming Step	Keystroke Combination
1. Enter Program Mode	<b>* (Master Code) #</b>
2. Pulse Mode	<b>3 (1-99) #</b> The relay time is 1-99 seconds(default is 5 seconds)
<b>OR</b>	
2. Latch Mode	<b>3 0 #</b> Sets the relay to ON/OFF Latch mode
3. Exit	<b>*</b>

### Set Strike-out Alarm

The strike-out alarm will engage after 10 failed card attempts. Factory is OFF. The strike-out alarm can be set to deny access for 30 minutes after engaging or it can be set disengage only after entering a valid card or Master code.

Programming Step	Keystroke Combination
1. Enter Program Mode	<b>* (Master Code) #</b>
2. Strike-Out OFF	<b>4 0 #</b> (factory default)
<b>OR</b>	
2. Strike-Out ON	<b>4 1 #</b> Access will be denied for 10 minutes
<b>OR</b>	
2. Strike-Out ON (Alarm) Set alarm time	<b>4 2 #</b> <b>5 (0 ~ 30) #</b> , factory default is 1 minute Enter Master code # or valid user card to silence
3. Exit	<b>*</b>

### Set Audible and Visual Response

Programming Step	Keystroke Combination	
1. Enter Program Mode	<b>* (Master Code) #</b>	
2. Control LED	<b>OFF = 6 1 #</b>	<b>ON = 6 2 #</b>
<b>OR</b>		
2. Control Sounds	<b>OFF = 6 3 #</b>	<b>ON = 6 4 #</b> (Factory defaults are ON)
3. Exit	<b>*</b>	

# Others

---

### Users Operation:

Open the door: Read the valid user card, the door will open.

Remove Alarm: Read valid user card, or Input Master code #

### Reset to Factory Default:

To reset to factory default, power off, press Exit door button, hold it and power on, release it after hear two beeps, the LED light will turn into yellow, after 10 seconds, it will turn into red after one beep, mean reset to factory default successfully.

Remarks: Reset to factory default, the user's information is still retained.

### Erase all Cards

This will delete ALL User data.

1, Enter Program Mode by press: \*(Master Code) #.

2, Press 2 and Master code again

3, Exit: \*

All configuration data is retained.

### Sound and Light indication

Operation Status	LED	Buzzer
Stand by	Red light bright	-
Enter into programming mode	Red light shines	One beep
In the programming mode	Yellow light bright	One beep
Operation error	-	Three beeps
Exit from the programming mode	Red light bright	One beep
Open lock	Green light bright	One beep
Alarm	Red light Shines quickly	Beeps

### DTZ001- Simplified Instruction

Function description	Choose from the relevant functions below and input
Enter the programming mode	*- <b>123456</b> - # <i>then you can do the programming (123456 is the default factory master code)</i>
change the master code	<b>0 – new code - # - repeat the new code - #</b> <i>(code: 6 digits)</i>
Add card user	<b>1- Read Card - #</b> <i>(can add Cards continuously)</i>
Delete card user	<b>2 – Read Card -#</b> <i>(can delete Cards continuously)</i>
Exit from the programming mode	*
How do release the door	
Card User	Read card