

# K3/K4 MINI Access Controller

## 1, Description.

K3/K4 is mini all-in-one access controller. It can act as both controller and slave reader. It supports standalone keypad besides proximity card. For more feature of the device and its using, please read carefully of the manual below.

## 2, Feature.

- ◆ Use capacity: 2000
- ◆ Can be used as either Reader or Controller;
- ◆ Can be used as only keypad;
- ◆ Support password, card, card+ password
- ◆ Very low power consumption (20mA)
- ◆ Anti-magnetic & lock output current short protect;
- ◆ So easy for connection of the lock: only 2 wires output, selecting lock type by programming menu;
- ◆ 2 pcs k3/k4 can be interlocked;
- ◆ Can be connected many kinds of card readers, such as HID, Mifare and so on;
- ◆ 2 pcs k3/k4 can be communicated; Double-door interconnected
- ◆ Full of 2000 users, recognizing speed <20ms.

## 3. Installation

### Wiring

- ◆ Unplug the cable harness and connect the necessary cables.
- ◆ Tape any wires that are unused.
- ◆ Plug the cable harness.
- ◆ Attach the front cover.

### Terminal Wire Connector 1 Function

10	D0	Green	Wiegand output, input signal wire D0
9	D1	White	Wiegand output, input signal wire D1
8	12V	Red	(+) 12Vdc Positive Regulated Power Input
7	GND	Black	(-) Negative Regulated Power Input
6	L-	Purple	Connect to the negative pole of the Lock
5	VSS	Blue	the negative pole of the controller, connect to the other part of Exit button and door contact

.1.

### Remark:

The device can connect to all types of the locks. When connect to Fail secure lock, please set the door relay time to 0 second; when connect to Fail safe lock, please set the door relay time to 1-10 seconds.

## 4, Manager Operation

### Enter into programming mode:

\* [Manager Password] [#]. Default Manager Password: 888888.

### 4.1 Change Manager Password:

0 [New Password#] [Repeat New Password #]

Remark: The manager password must be 6~8 digit number.

### 4.2 Add Users:

#### 4.2.1 Add card users

#### Two ways to add card users,

#### No. 1-the fast way

1 [Read Card 1] [Card 2] ..... [#].

Remark: User card ID is 1~2000, it is produced automatically from 1 to 2000.

When add card users, there will be a default password "1234" come into being automatically, but it can't be used to open the door.

#### No.2-By user ID one by one

1 [ID number 1 - # - Card 1] [ID number 2 - # - Card 2] ... [#]

Remark: Press [#] means confirm. Press the last [#] means finish the step, Press

\* to exit from the step.

#### 4.2.2 Add Password users

1 [ID number 1 - # - Password 1 - #] [ID number 2 - # - Password 2 - #] ... [#]

#### 4.2.3 Add Mixed users

The device can add card user, password user at the same time.

1 [Card 1] [ID number 2 - # - Card 2] [ID number 2 - # - Password - #] ... [#]

Remark: Password must be 4 digit number. User ID is any digit between 1-2000.

### 4.3 Delete Users:

#### 4.3.1 Delete Card users

2 [Card 1] [Card 2] ... [#]

#### 4.3.2 Delete users by ID number

2 [ID number 1 - #] [ID number 2 - #] ... [#]

#### 4.3.3 Delete all the users

2 [0000] [#]

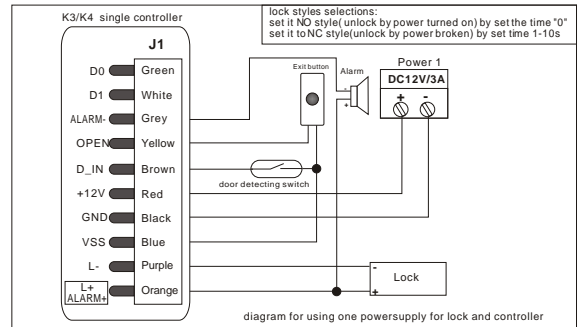
### 4.4 Setting working mode:

.3.

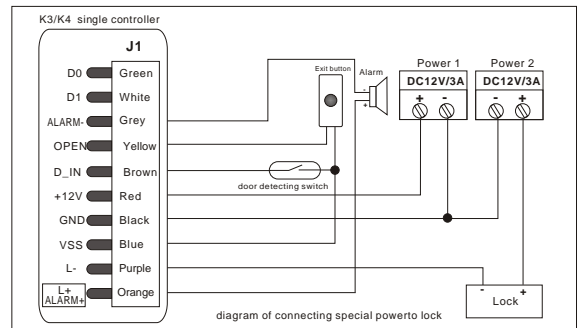
4	L+/Alarm+	Orange	Connect to the positive pole of the lock and alarm equipment
3	D_IN	Brown	Door Contact input,
2	OPEN	Yellow	To connect to one part of Exit Button
1	ALARM	Grey	connecting to the negative pole of the alarm equipment

Note: Do not power on until all wiring has been completed.

### Connection diagram



.2.



3 0 # Valid card users only

3 1 # Valid card and password users

3 2 # Valid card or password users

### 4.5 Setting door relay time

4 0~10 #

Door relay time is 0-10 second, factory default setting 5 seconds.

Fail secure: set the door relay time to 0 second

Fail safe: set the door relay time to 1-10 seconds

### 4.6 Setting Alarmsignal output time

5 0~3 #

Alarm time is 0-3 minutes, factory default setting 1 minute.

### 4.7 Setting Door open dection

6 0 # to disable this function (factory default setting)

6 1 # to enable this function

When enable this function,

### 4.8 Setting Security Status

Normal status: 7 0 # (Factory default setting)

Lock on status: 7 1 # In 10 minutes, if there's 10 times invalid card or wrong Password, the device will lock on for 10 minutes.

Alarm status: 7 2 # In 10 minutes, if there's 10 times invalid card or wrong

Password, the device will alarm.

### 4.9 Two devices interlock setting

8 0 # to disable this function (factory default setting)

8 1 # to enable this function

## 5. User Operation

### 5.1 Card user change their password

\* [Read card] [Password #] [New Password #] [Repeat Password #]

### 5.2 Password user change their password

\* [ID number - #] [Password #] [New Password #] [Repeat Password #]

### 5.3 How to release the door

Card user: [Read card]

Password user: [Password #]

Password user: [Read card] [Password #]

## 6.Remove Alarm

### 6.1 Alarm from the Alarm equipment and Buzzer built-in

To remove it: [Read valid card] or [Manager Password - #]

.4.

## 6.2 Alarm to close the door

To remove it: **Close the door** or **Read valid card** or **Manager Password - #**

## 7, Sound and Light indication

Operation Status	Red Light	Green Light	Buzzer
Power on	-	Bright	Short Ring
Stand by	Bright	-	-
Press keypad	-	-	Short Ring
Operation succeed	-	Bright	Short Ring
Operation fail	-	-	Three short ring
Enter into programming mode	Bright	-	Short Ring
In the programming mode	Bright	Bright	
Exit from the programming mode	Bright	-	Short Ring
Open the door	-	Bright	Short Ring
Alarm	Bright	-	Alarm

## 8. Technical information

Supply Voltage	DC+12V±5%
Sleeping Current	14±5mA
Working Current	<50mA
Card Distance	5~15cm
Temperature	-10~60°C
Lock output Load	20A
Alarm output Load	20A
K3	L90* W60* H23mm
K4	L115* W50* H22mm

## 9, Packing list

Name	Model no.	Quantity	Remark
Digital Keypad	K3/K4	1	

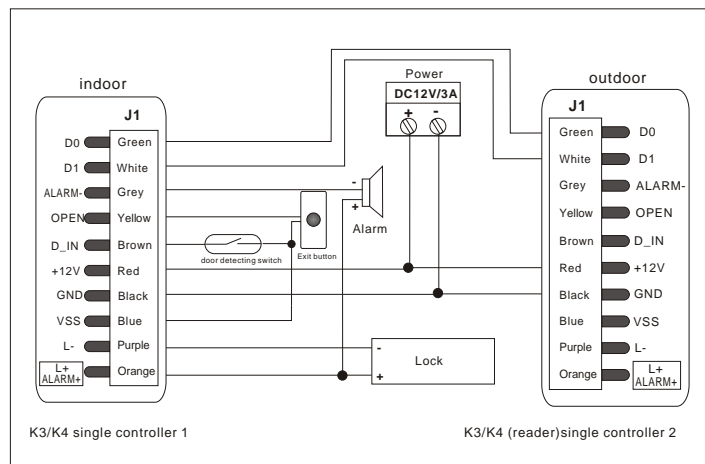
.5.

### 2. Two device interconnected - single door

The connection is showed as Figure 1. One device inside the door, the other outside the door. Either device acts as the controller and reader at the same time. It has below feature:

**2.1 It can add users on either of the device. The information of the two devices can be communicated. The user's capacity for the single door is maximum 4,000. Each user can use card or password for access.**

**2.2 Two devices alarm at the same time (except the closing door alarm), Swipe card or enter Manager password on either device can remove both of the alarm.**



.7.

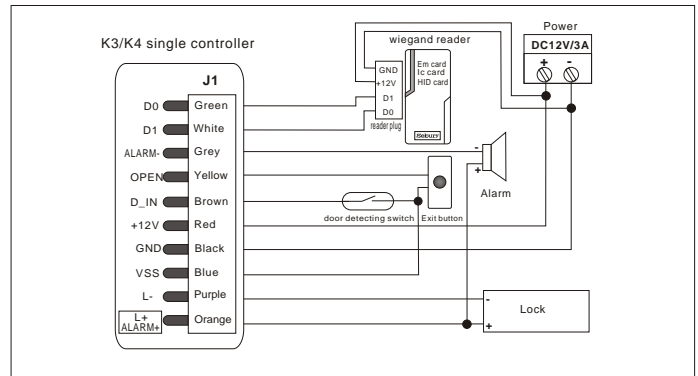
User Manual	K3/K4	1	
Cable	10Pin	1	
Security Screws	Φ3mm×12mm	1	Used for front case and back case
Screwdriver		1	(spare)
Pastern Stopper	Φ6mm×27 mm	4	Used for fixing
Self Tapping Screws	Φ3.5mm×27 mm	4	Used for fixing
Diode	1N4007	1	Used for lock

## Two devices interconnected Function

### 1. Connecting to slave reader

The connection is showed as Figure 1. The device can connect to slave reader outside, compatible to any of the Wiegand 26 reader such as EM card, IC card, HID card. When add cards, it is required to do it at the slave reader, but not controller (except EM card, which can be added on both reader and controller).

When connect to slave reader, it is required to add user on the controller.



Lock styles selections:  
set it NO style (unlock by power turned on) by set the time "0"  
set it to NC style (unlock by power broken) by set time 1-10s

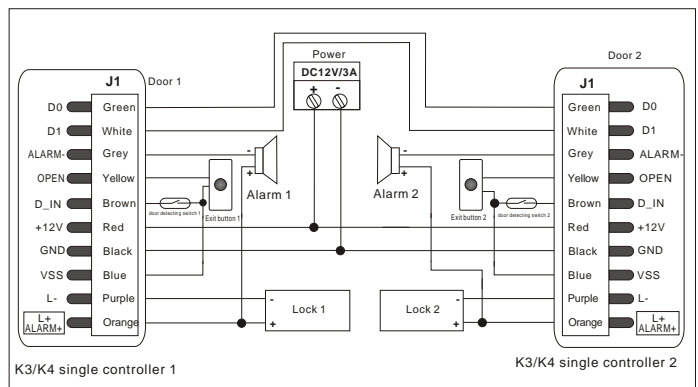
.6.

### 3. Two device interconnected & interlocked two doors

The connection is showed as Figure 2, for the two doors, each door install one controller and one lock related. The interlocked function will go when either door is opened, the other door is locked forced, only close this door, you can then open the other door. The interlocked function is mainly using in bank, prison, and other places where require higher security.

**3.1 The user can't open the other door when enter the password or card on this controller.**

**3.2 when the two devices were alarm, the exit button connected would be inactive, only swipe the programmed card or enter manager password can open the door, and stop the alarm at the same time.**



.8.